

PRODUCT INFORMATION PACKET

Model No: 056C34G5315

Catalog No: G875

1 HP Explosion Proof Motor, 1 phase, 3600 RPM, 115/208-230 V, 56C Frame, EPFC
Explosion Proof NEMA Motors

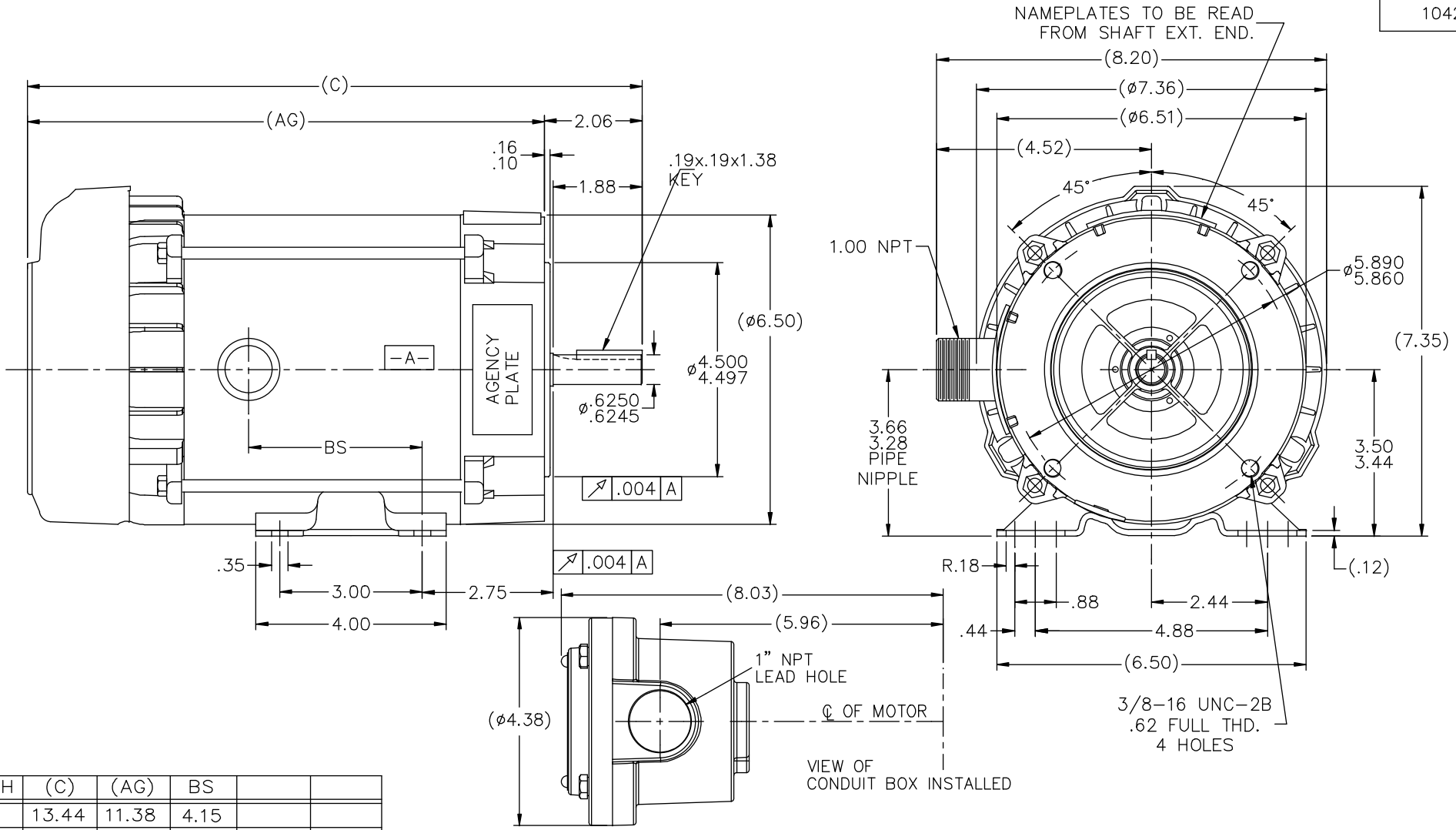


Nameplate Specifications

Output HP	1 Hp	Output KW	0.75 kW
Frequency	60 Hz	Voltage	115/208-230 V
Current	12.4/6.7-6.2 A	Speed	3450 rpm
Service Factor	1	Phase	1
Efficiency	72 %	Power Factor	76
Duty	Continuous	Insulation Class	B
Design Code	NO DESIGN CODE	KVA Code	K
Frame	56C	Enclosure	Explosion Proof Fan cooled
Thermal Protection	Automatic	Ambient Temperature	40 °C
Drive End Bearing Size	6203	Opp Drive End Bearing Size	6203
UL	Recognized	CSA	N
CE	N	IP Code	54
Hazardous Location	EXP PROOF CL I GR C&D CL II GR F&G T3B		

Technical Specifications

Electrical Type	Capacitor Start Induction Run	Starting Method	Across The Line
Poles	2	Rotation	Selective Clockwise
Resistance Main	0 Ohms	Mounting	Rigid base
Motor Orientation	Horizontal	Drive End Bearing	Ball
Opp Drive End Bearing	Ball	Frame Material	Rolled Steel
Shaft Type	NEMA 56	Overall Length	14.44 in
Frame Length	7.31 in	Shaft Diameter	0.625 in
Shaft Extension	2.06 in	Assembly/Box Mounting	F1 ONLY
Connection Drawing	102005-84	Outline Drawing	B-104201-731

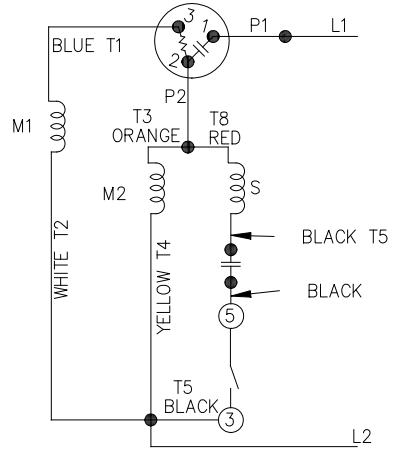


DASH	(C)	(AG)	BS
631	13.44	11.38	4.15
681	13.94	11.88	4.65
731	14.44	12.38	5.15
781	14.94	12.88	5.65
831	15.44	13.38	6.15
881	15.94	13.88	6.65
931	16.44	14.38	7.15
981	16.94	14.88	7.65

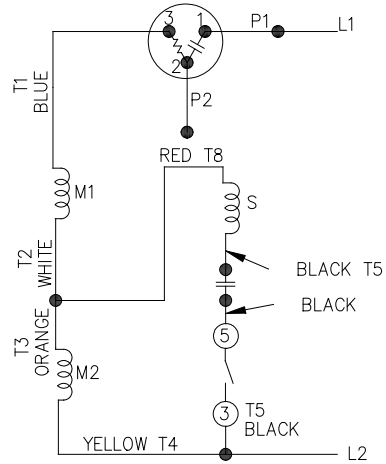
NO.	REVISION	BY & DATE	CHK	ANG	RFP	TOLERANCES UNLESS SPECIFIED		MARATHON ELECTRIC	DRAWN MH 12-05-1996
						DEC.	INCHES		
6	COND. BOX INSTALLED VIEW UPDATED PER ECR-0044571	UD 10/15/13	ST						
5	REVISED C'BOX PER CN30784A	JJB 02/23/2007	ML						CHK ML 12-06-1996
4	REV. D.E. BKT. DIM. TOL. FOR 4.499 DIM. CN46141	RWR 07-13-2005	ML	.X	±.1				APPD GK 12-06-1996
3	REDRAWN IN AUTOCAD	TAT 06-28-2004	ML	.XX	±.03			TITLE OUTLINE - 'C' FACE	SCALE 1=2
2	ADDED CONDUIT BOX VIEW MU35604	HLB 02-26-2001		.XXX	±.005			56 FR. - EXP. PR.	REF
1	NEW DRAWING CN 23099	MH 12-06-1996		.XXXX	±.0005			MAT'L.	FMF
THIS DRAWING IN DESIGN AND DETAIL IS OUR PROPERTY AND MUST NOT BE USED EXCEPT IN CONNECTION WITH OUR WORK ALL RIGHTS OF DESIGN AND INVENTION ARE RESERVED THIS IS AN ELECTRONICALLY GENERATED DOCUMENT - DO NOT SCALE THIS PRINT									PREV
CAD FILE 104201									
DIST WP									
SIZE B						DRAWING NO. 104201		PAGE 1 OF 1 REV. 6	

102005-84

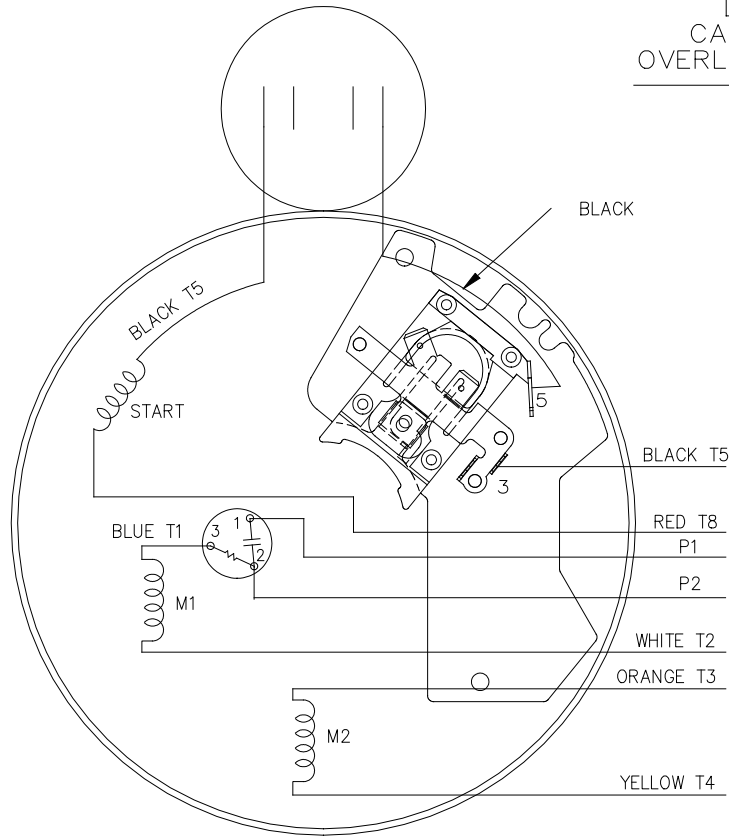
LOW VOLTAGE - C.C.W.



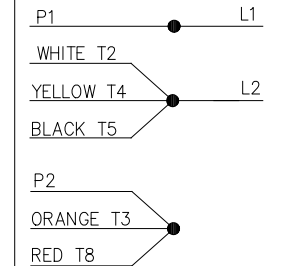
HIGH VOLTAGE - C.C.W.



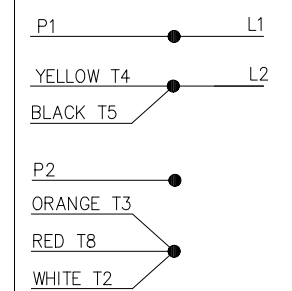
DUAL VOLTAGE
CAPACITOR START
OVERLOAD SELECT ROT.



LOW VOLT. - C.C.W. ROT.

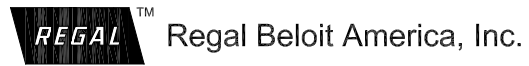


HIGH VOLT. - C.C.W. ROT.



FOR C.W. ROTATION
EITHER VOLTAGE
INTERCHANGE RED(T8)
WITH BLACK(T5) LEAD

NO.	REVISION	BY & DATE	CHK	ANG	TOLERANCES UNLESS SPECIFIED		FINISH	DRAWN PGK 07-16-1996				
					DEC.	INCHES						
5	UPDATED TEMPLETE	MVG 12/11/2017	PVR	.X	±.1			CHK MRB 07-18-1996				
4	REV'D CONNECTION TO MATCH ROTATION ISAAC 07-2021	JJB 09/05/2007	ML	.XX	±.02			APPD GK 07-18-1996				
3	ADDED T NO.'S MU16064	MH 08-09-1997		.XXX	±.005			SCALE 5=8				
2	REDRAWN ON CADD, NO CHANGES	PGK 07-18-1996		.XXXX	±.0005			REF				
					±7'30"			FMF				
								PREV				
THIS DRAWING IN DESIGN AND DETAIL IS OUR PROPERTY AND MUST NOT BE USED EXCEPT IN CONNECTION WITH OUR WORK ALL RIGHTS OF DESIGN AND INVENTION ARE RESERVED THIS IS AN ELECTRONICALLY GENERATED DOCUMENT - DO NOT SCALE THIS PRINT							RFP	CAD FILE 102005_84	SIZE A	DRAWING NO. 102005-84	PAGE OF 5	REV. 5
							DIST WP					



TITLE CONNECTION DIAGRAM

MAT'L.



MARATHON ELECTRIC CORPORATION
TYPICAL PERFORMANCE CURVE for AC MOTOR

Customer

Curve at

230 Volts
60 HZ
1 HP

HP 1.00

PHASE 1

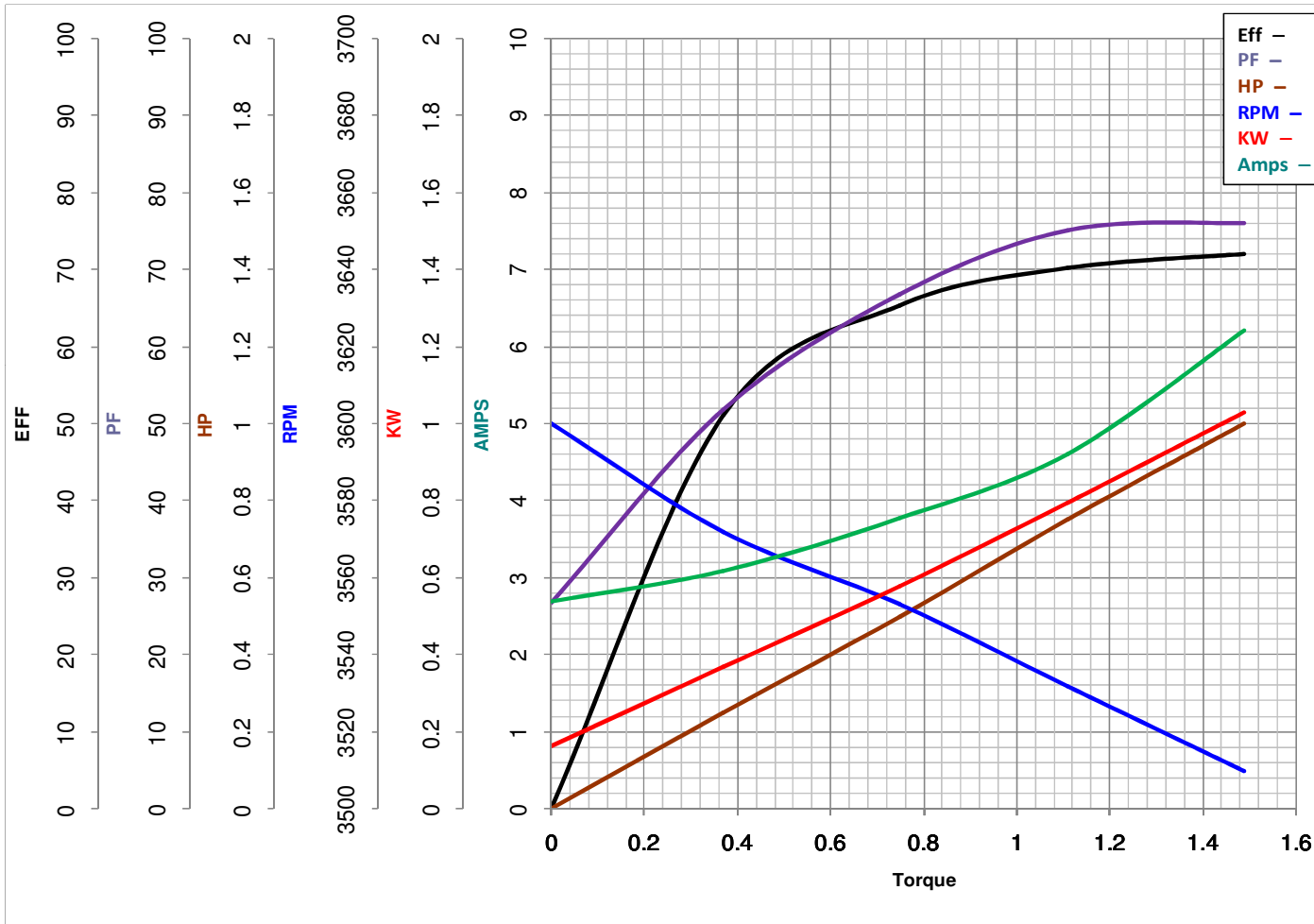
Model No 56C34G5315

VOLTS 115/208-230

Catalog No G875

HZ 60

RPM 3450



Torque in Lb.Ft

FL TORQUE 1.49 Lb.Ft
BD TORQUE 3.9 Lb.Ft
LR TORQUE 4.71 Lb.Ft

FL AMPS 12.4/6.7-6.2
PU TORQUE 3.5 Lb.Ft
LR AMPS 36.9

WINDING ZC223-3

Date 1/23/2019